

# U9 132 016/13 CE



UK

## DIAL OPERATED ELECTRONIC ROOM THERMOSTAT WITH CALL FOR HEAT LED AND REMOTE SENSOR OPTIONS

- Suitable for 230 V~ or 24 V~ operation with switching load up to 5 (1) amps.
- Red LED light shows when the thermostat is calling for heat.
- The night set back temperature is adjustable in the range 2 °C to 7°C.
- Optional remote sensors - enables thermostat use in bathroom applications.
- Simple to use dial operation with clear temperature settings from 6 °C to 30 °C.
- Wall mounted thermostat in elegant white design, only 85 mm wide x 85 mm high x 31 mm deep.
- Accurate temperature control for maximum comfort - differential 0.5 °C.
- Temperature range limiting stops to prevent accidental adjustment.
- Compliant with directives EEC 2004/108 & 2006/95 (CE)

6 Tannery Yard - Witney Street - Burford  
Oxfordshire - OX18 4DW - UK  
Phone: 01993 824900  
Fax: 01993 824990  
Email: sales@emmeti.co.uk  
Website: [www.emmeti.co.uk](http://www.emmeti.co.uk)

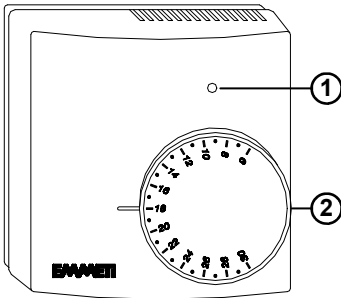


Fig. 1

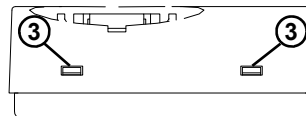


Fig. 2

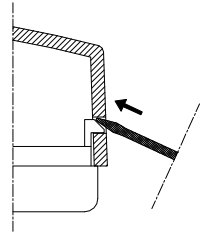


Fig. 3

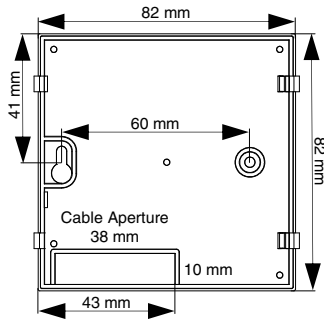


Fig. 4.

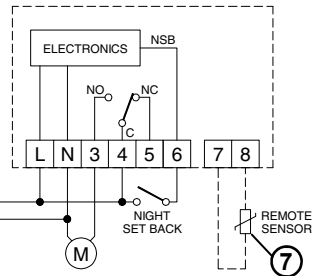


Fig. 5

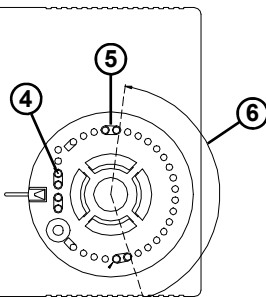


Fig. 6

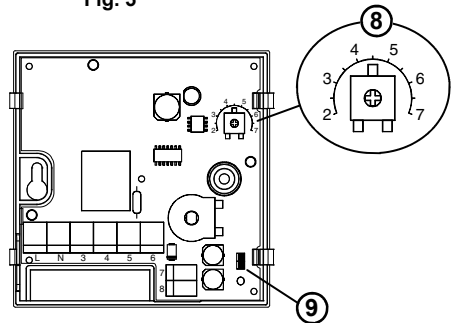


Fig. 7

## OVERVIEW

This electronic room thermostat (Fig. 1) is suitable for reliable and accurate temperature regulation in commercial and industrial premises as well as for home installation.

## OPERATION

When the measured room temperature is below the value set on the dial the thermostat turns the relay on and, at the same time, turns the red LED on for 'Heating'.

## SETTING THE ROOM TEMPERATURE

The user can set the room temperature by moving the dial to any desired temperature between 6°C and 30°C, in one degree steps, against the index mark next to the dial at the 9 o'clock position.

## INSTALLATION



### WARNING

1. Please ensure that the electrical wiring of the installation and connections to and from the thermostat and any remote sensor connected to it are in accordance with BS 7671, the latest edition of the IEE Wiring Regulations.
3. The thermostat must be wired to the electric mains through a switch capable of disconnecting all poles compliant to the current safety standards and with a contact separation of at least 3 mm in all poles.
4. Before commencing work on the installation, the electricity supply must be disconnected.

The thermostat should be positioned about 1.5m from floor level and must avoid being positioned near draughts, sources of heat or cold or direct sunlight. To install the thermostat:

1. First remove the dial by inserting a small screwdriver in the slot (2) and lifting the dial off carefully.
2. Remove the front cover by disengaging the two plastic teeth on the right hand side of the case as shown in Figs. 2 & 3.
3. The thermostat has been designed for fixed wiring only. Cable access is through the rear of the mounting backplate as shown in Fig. 4

The backplate can be secured either to a flat vertical mounting surface or to a single gang flush mounted wiring box: the fixing centres are shown in Fig. 4

4. Fix the thermostat backplate to the wall through the two screw holes with distance between centres of 60 mm.
5. Make the wiring connections to the backplate as shown in Fig. 5 including any remote sensor connections to terminals 6 and 7.
6. When the electrical connections are complete, refit the cover by aligning the four plastic teeth on the backplate with the holes in the cover and

then press gently to snap them together. Refit the dial aligning the 'D' shape to the spindle.

## TEMPERATURE RANGE LIMITING

It is possible to limit the rotation range for the dial by following these steps:

1. First remove the dial by inserting a small screwdriver in the slot (2) and lifting the dial off carefully.
2. Pick up the plastic pins (4) parked to the left of the knob area and set them (5) as shown in of Fig. 6. In this example the rotation range (6) is reduced to the angle shown.

## NIGHT SET BACK

Terminal NSB (6) Fig.5 allows to activate the "night set back" mode. The night set back temperature is adjustable in the range 2 °C to 7°C by means of the internal trimmer (8) Fig. 7. The thermostat is factory set to 4,5°C night set back.

## REMOTE SENSOR SELECTION

When using the remote sensor option with the thermostat, connect the sensor as shown in Fig. 5 (7) and remove the jumper on the bottom right hand corner of the backplate - see (9) Fig. 7. Cased remote sensors must be connected in cable of at least 1.5mm<sup>2</sup> cross sectional area and not greater than 25m in length. Do not put mains cables and sensor cables next to one another.

## TECHNICAL FEATURES

Power supply:

U9 132 016: 230V~ -15% +10% 50Hz  
U9 132 013: 24V~/= -15% +10% 50Hz

Power absorption:

1VA

Regulation range:

6°C .. 30°C

Night set back:

2°C .. 7°C (Default 4,5°C)

Sensor type:

NTC 4,7kΩ @ 25°C

internal

Remote sensor optional: U9 132 011

U9 132 012

Contact rating:

5 (1) A @ 250V~ SPDT

Protection grade:

IP 30

Operating temperature: 0°C .. 40°C

Storage temperature: -10°C .. +50°C

Humidity limits:

20% .. 80% RH

(non condensing)

Case: Material:

ABS self extinguishing V0

Color: Signal white (RAL 9003)

Size:

85 x 85 x 31 mm (W x H x D)

Weight: U9 132 016:

~135 gr.

U9 132 013: ~ 130 gr.

In view of the constant development of their products, the manufacturer reserves the right to change technical data and features without prior notice. The consumer is guaranteed against any lack of conformity in accordance with the European Directive 1999/44/EC as well as the manufacturer's own warranty policy. The full text of the warranty is available on request from Emmeti UK Ltd.