

> Monoblocco seal 24x19 for copper pipe



169

> Monoblocco seal 24x19 for copper pipe (solar systems)



170

> Monoblocco seal 24x19 for multi-layer pipe



171

> Eurocono for multi-layer pipe



171

> PEX, PP and PB monoblocco seal 24x19



173

> PEX, PP eurocono seal



173

> Monoblocco seal for gas



175

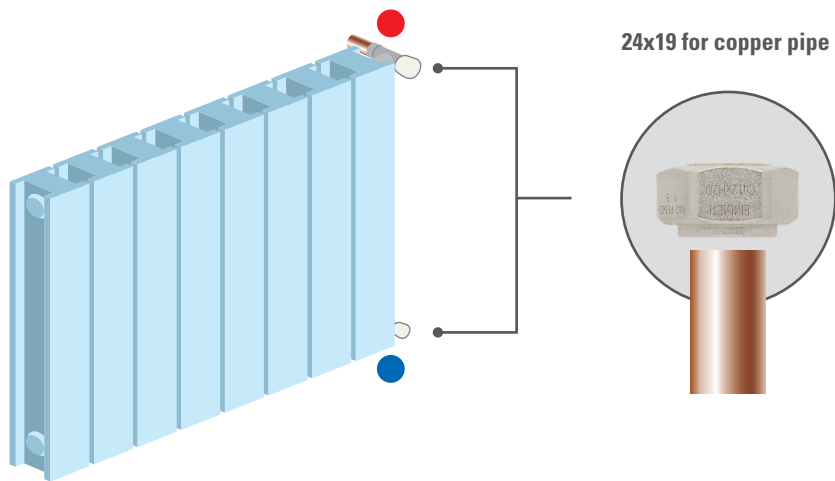
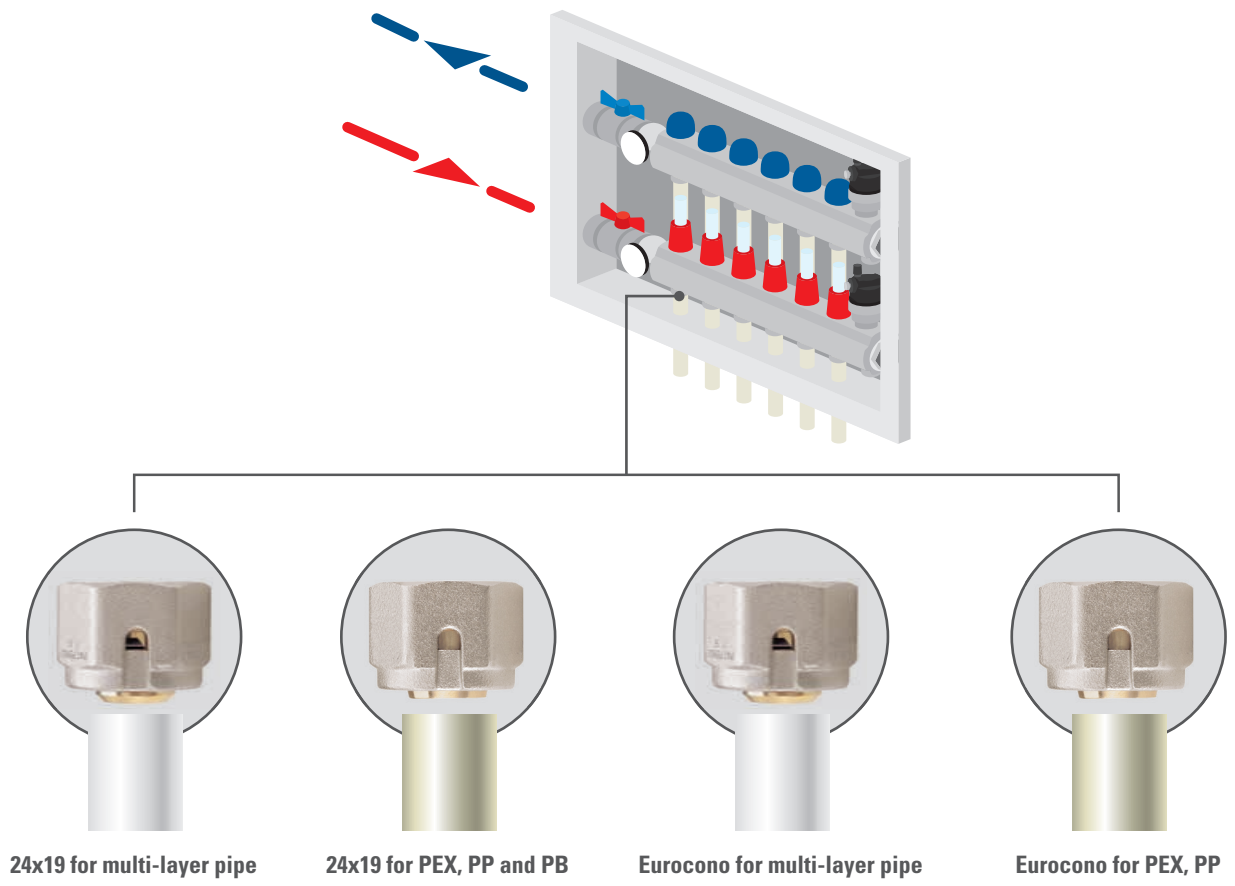
> Seals and fittings to be tightened



176



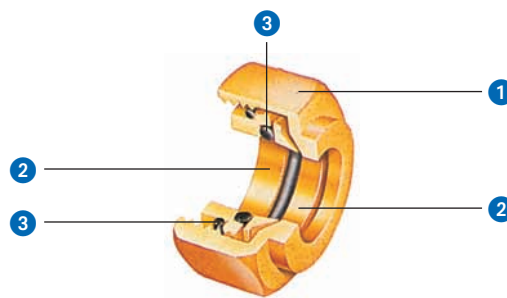
# Example of installation



# Copper Monoblocco seal



## Monoblocco seal 24x19 for copper pipe



### Construction

- 1 Nut in nickel-plated brass ST UNI EN 12165 CW617N
- 2 Metal components in brass TN UNI EN 12164 CW614N
- 3 O-ring fitting in NBR

Maximum torque: 30 Nm  
Maximum pressure: 10 bar  
Maximum temperature: 100 °C



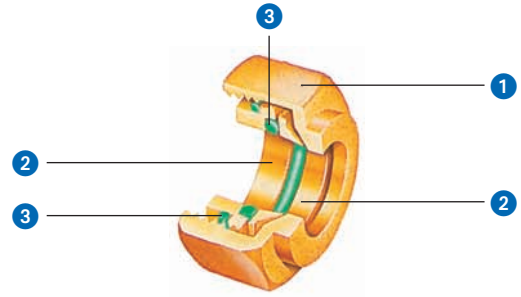
**PATENT PENDING**

### Monoblocco seal for copper pipe, nickel-plated

Size	Thread	Thread	Pcs. pack	Code
10	24x19	24x19	50	01321410
12	24x19	24x19	50	01321412
14	24x19	24x19	50	01321414
15	24x19	24x19	50	01321415
16	24x19	24x19	50	01321416
18 standard seal	24x19		20	01321320
Monoblocco blind seal (plug)	24x19		20	01321460

# Copper Monoblocco seal for solar

Monoblocco seal 24x19 for copper pipe, nickel-plated for high temperature, solar systems



## Construction

- 1 Nut in nickel-plated brass ST UNI EN 12165 CW617N
- 2 Metal components in brass TN UNI EN 12164 CW614N
- 3 O-ring fitting in VITON

Maximum torque: 30 Nm  
Maximum pressure: 10 bar  
Maximum temperature: 160 °C



PATENT PENDING

## Monoblocco seals 24x19, copper pipe for high temperature, solar systems

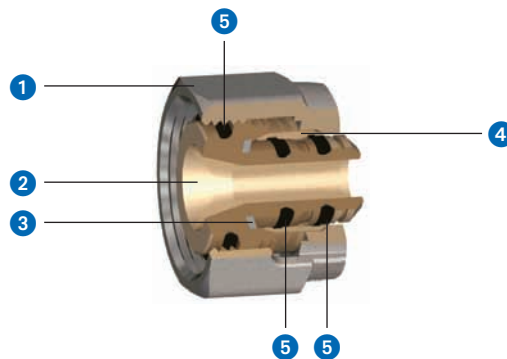
Size	Pcs. pack	Code
Ø 15	20	01321476
Ø 16	20	01321478
Ø 18 (*)	20	01321484

(\*) Standard seal

# Multi-layer Monoblocco seal



## Monoblocco seal 24x19 and Eurocone for multi-layer pipe



### Construction

- 1 Nut in nickel plated brass ST UNI EN 12165 CW617N
- 2 Adapter UNI EN 12164 CW614N
- 3 Washer PTFE
- 4 Serrated hose-clamp in brass UNI EN 12164 CW614N
- 5 O-ring seals EPDM

Maximum torque: 30 Nm  
 Maximum pressure: 10 bar  
 Maximum temperature: 100 °C



PATENT PENDING

### 24x19 seal for multi-layer pipe, nickel-plated

Size	Thread	Thread	Pcs. pack	Code
12 x 1,6	24x19		50	28100355
14 x 2	24x19		50	28100356
16 x 2	24x19		50	28100358
16 x 2,25	24x19		50	28100360
17 x 2	24x19		50	28100362
18 x 2	24x19		50	28100364
20 x 2	24x19		50	28100366
20 x 2,25	24x19		50	28100374
20 x 2,5	24x19		50	28100370
26 x 3	M32x1,5		8	28100368



PATENT PENDING

### Fitting Female 24x19 - Male M32x1,5

Size	Pcs. pack	Code
24x19 - M32x1,5	10	01306252

Complete with O-Ring and adapter female side

# Multi-layer Monoblocco seal



## Straight Male fitting 1/2" - M32x1,5

Size	Pcs. pack	Code
1/2" - M32x1,5	10	01306250

Complete with O-Ring

PATENT PENDING



## Eurocone seal for multi-layer pipe

Size	Pcs. pack	Code
16 x 2	10	28100392
20 x 2	10	28100400

PATENT PENDING



## CH 38 spanner for multi-layer Monoblocco seals 26x3

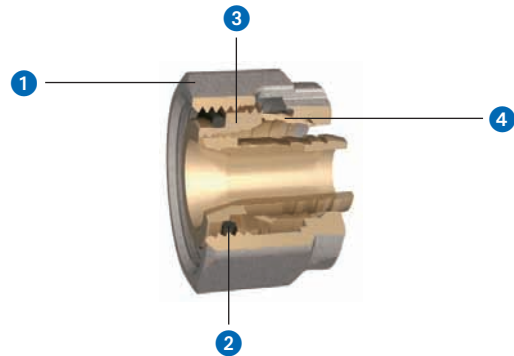
Size	Pcs. pack	Code
	1	28171002

To be used for the tightening of the single-piece seals for multi-layer pipe 26x3 on the branches of Topway manifolds with interval of 50 mm

# PEX-PP-PB Monoblocco seal



## Monoblocco seal 24x19 and Eurocone for plastic pipe PEX, PP



### Construction

- 1 Nut in nickel-plated brass UNI EN 12165 CW617N
- 2 O-ring seals EPDM
- 3 Adapter in brass UNI EN 12164 CW614N
- 4 Serrated hose-clamp in brass UNI EN 12164 CW614N

Maximum torque: 30 Nm  
 Maximum pressure: 10 bar  
 Maximum temperature: 100 °C



PATENT PENDING

### Monoblocco seal 24x19 for plastic pipe PEX, PP

Size	Thread	Thread	Pcs. pack	Code
12 x 1	24x19		50	28100320
12 x 2	24x19		50	28100322
14 x 2	24x19		50	28100324
15 x 1,5	24x19		50	28100325
15 x 1,7	24x19		50	28100326
15 x 2,5	24x19		50	28100328
16 x 1,5	24x19		50	28100332
16 x 2	24x19		50	28100334
16 x 2,2	24x19		50	28100336
17 x 2	24x19		50	28100340
18 x 2	24x19		50	28100342
18 x 2,5	24x19		50	28100344
20 x 2	24x19		50	28100346
20 x 2,8	24x19		50	28100348
25 x 2,3	M32 x 1,5		8	28100382



PATENT PENDING

### Eurocone seal for plastic PEX, PP pipe

Size	Pcs. pack	Code
17x2	10	28100768
20x2	10	28100774
3/8" SDR 9	50	28104166
1/2" SDR 9	50	28104168
5/8" SDR 9	50	28104170
3/4" SDR 9	50	28104172

# PEX-PP-PB Monoblocco seal



## Monoblocco seal 24x19 for plastic pipe PB

### Construction

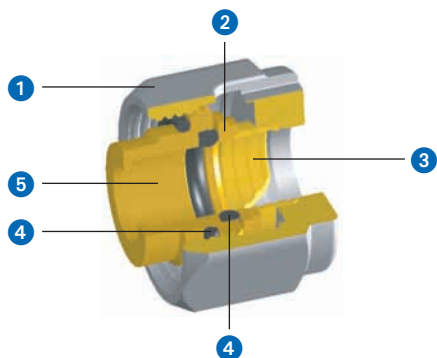
- 1 Nut in nickel-plated brass ST UNI EN 12165 CW617N
- 2 Collar in brass ST UNI EN 12164 CW614N
- 3 Serrate hose-clamp in brass ST UNI EN12164 CW614N
- 4 O-ring seal in EPDM
- 5 Adapter in brass ST UNI EN 12164 CW614N

Maximum torque: 30 Nm

Size	Pcs. pack	Code
Ø 10 (*)	50	28100318
Ø 15 (*)	50	28100330

### (\*) Polybutylene

When using these with plastic pipe, please ensure you use the plastic pipe insert provided for by the manufacturer of the pipe you are using.



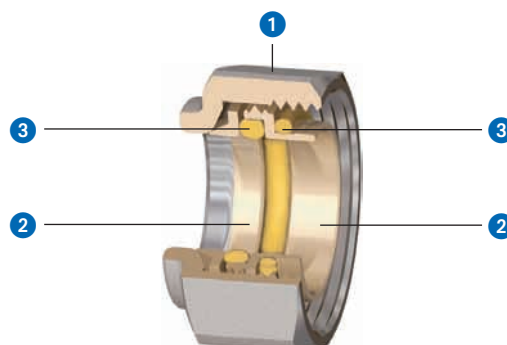
PATENT PENDING



# Gas Monoblocco seal



## Monoblocco copper seal for gas



### Construction

- ① Nut in nickel-plated brass ST UNI EN 12165 CW617N
- ② Metal components in brass TN UNI EN 12164 CW6214N
- ③ O-ring fitting in yellow HNBR

Maximum torque: 30 Nm  
 Maximum pressure: 10 bar  
 Maximum temperature: 100 °C

**Confirm to UNI EN 1254-2 with Emmeti seals 24x19**



**PATENT PENDING**

### Monoblocco seal for gas

Size	Pcs. pack	Code
10	20	01321450
12	20	01321452
14	20	01321454
15	20	01321456
16	20	01321458
18 (*)	20	01321670
Monoblocco blind seal (plug)	20	01321460

(\*) Standard seal

## Accessoires for Monoblocco



### CH 27 -30 spanner for tightening takeoffs

Size	Pcs. pack	Code
	1	01306046

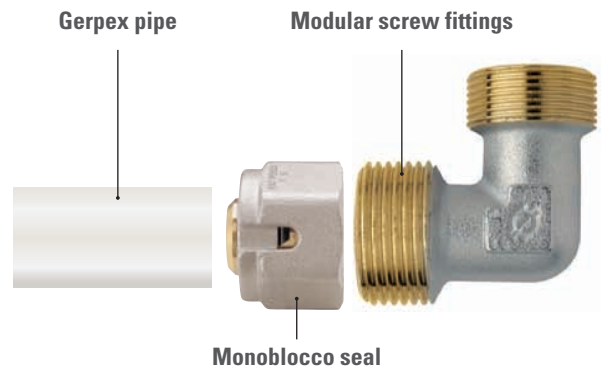


### CH 27 spanner for tightening takeoffs until DN 18

Size	Pcs. pack	Code
	1	01306054

# Seals and fittings to be tightened

## Seals and fittings to be tightened



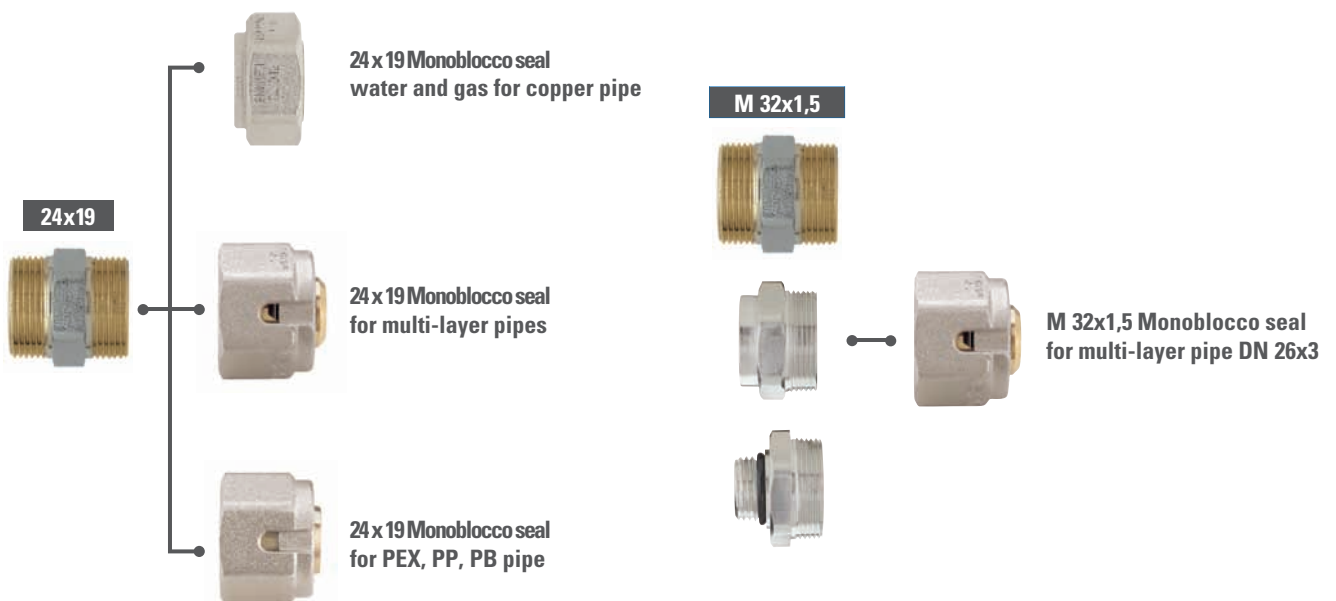
### Uses

The use of the screw-together pipe fittings makes installing the multi-layer pipe easy, and moreover it requires very few tools. The 24x19 threading allows for a single type of fitting which can be matched with Emmeti seals 24x19 for multi-layer pipe (see section nr. 7 - Connection and Control of Heating Units), thus rationalizing stocks. The hydraulic seal is ensured by means of a system with three O-rings and a toothed pipeholding ogive. All the fittings are equipped with a special PTFE ring that insulates the aluminium of the pipe from the brass fitting.

### Construction

The single body seal is supplied with its components (nut, olive, adaptor) already assembled and ready for insertion into the pipe. The opening on the nut makes it possible to verify if the fitting has been inserted all the way down to the Seat point. Body UNI EN 12165 CW617N\*\* Female - Male connection Thread gas ISO 228/1 (DIN 259) \*\* Nickel-plated only on surface non in contact with fluids; availability after exhaustion of totally nickel-plated version.

24x19 thread connect copper pipe, multi-layer, pex, PP and PB using standard fitting and Emmeti seals.





PATENT PENDING

### Straight female joint, nickel-plated

Size	Thread	Pcs. pack	Code
1/2"	24x19	20	28103000
3/4"	24x19	14	28103010
3/4"	M32x1,5	10	28103020
1"	M32x1,5	8	28103030



PATENT PENDING

### Straight male joint, nickel-plated

Size	Thread	Pcs. pack	Code
1/2"	24x19	20	28103040
3/4"	24x19	14	28103050
3/4"	M32x1,5	10	28103060
1"	M32x1,5	10	28103070



PATENT PENDING

### Straight joint double jointed nickel-plated

Size	Pcs. pack	Code
24 x 19	20	28103080
M32 x 1,5	10	28103090



PATENT PENDING

### Fitting Female 24x19 - Male M32x1,5

Size	Pcs. pack	Code
24x19 - M32x1,5	10	01306252

Complete with O-Ring and adapter female side



PATENT PENDING

### Straight Male fitting 1/2" - M32x1,5

Size	Pcs. pack	Code
1/2" - M32x1,5	10	01306250

Complete with O-Ring



PATENT PENDING

### Female elbow joint nickel-plated

Size	Thread	Pcs. pack	Code
1/2"	24x19	10	28103100
3/4"	24x19	8	28103110
3/4"	M32x1,5	6	28103120
1"	M32x1,5	4	28103130

## Seals and fittings to be tightened



**Male elbow joint nickel-plated**

Size	Thread	Pcs. pack	Code
1/2"	24x19	10	28103140
3/4"	24x19	10	28103150
3/4"	M32x1,5	8	28103160
1"	M32x1,5	5	28103170

PATENT PENDING



**Double-jointed elbow nickel-plated**

Size	Pcs. pack	Code
24 x 19	10	28103180
M32 x 1,5	6	28103190

PATENT PENDING



**TEE joint female nickel-plated**

Size	Thread	Pcs. pack	Code
1/2"	24x19	8	28103200
3/4"	24x19	5	28103210

PATENT PENDING



**TEE-joint male nickel-plated**

Size	Thread	Pcs. pack	Code
1/2"	24x19	8	28103240
3/4"	24x19	6	28103250

PATENT PENDING



**TEE-joint three-piece nickel-plated**

Size	Pcs. pack	Code
24x19	8	28103280

PATENT PENDING



**Elbow joint female with flange nickel-plated**

Size	Thread	Pcs. pack	Code
1/2"	24x19	6	28103300

**PATENT PENDING**



**Galvanized bracket for flanged elbow**

Size	Pcs. pack	Code
	12	28100822