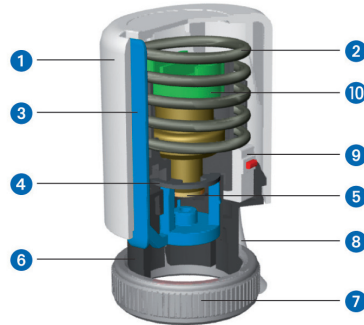


**Control T Electrothermic Heads**



Emmeti have developed a new generation of Electrothermic heads, built around a sensitive wax/copper element, for responsive actuation. Includes pop up indicator to show the valve in the open position, for ease of installation and maintenance. The loose ring threaded mounting can be used one handed, and the oval body shape allows finger space between each head.

- 1 Polycarbonate casing
- 2 Stainless steel spring
- 3 Unreinforced nylon, PA6
- 4 Steel radial stop ring
- 5 Brass shelf EN 12164 CW614N
- 6 Polycarbonate base
- 7 M30x1.5 brass ring nut EN 12164 CW614N nickel plated
- 8 PVC cable
- 9 Microswitch 5A
- 10 Wax expansion electrothermal actuator

**Control T - Electrothermic head normally closed**



Size	Pcs./Pack	Code
230v	1	01213240
24v	1	01213200

**Technical data**

- Absorption 3.45 VA (230 V) 3 VA (24 V)
- Protection: IP 40 (IP 44 vertical position)
- Length: 1 m
- Breakaway current: 0.35 A (model 24 V) - 0.25 A (model 230V)
- Closing/opening time: 5-6 min
- Stroke length: 3.5mm
- 2-wire

Note: The thermo-electric heads can be used in conjunction with: Topway T2 and Floor Mixing Unit manifolds with valves. Supplied with 1m cable. 2 wire.

**Control T - Electrothermic head normally closed with end switch (5A 230V)**



Size	Pcs./Pack	Code
230v with micro switch	1	01213250
24v with micro switch	1	01213210

The valve opens upon receiving the command from the thermostat via a wiring box or any similar control device.

**Technical data**

- Absorption 3.45 VA (230 V) 3 VA (24 V)
- Protection IP 40 (IP 44 vertical position)
- Cable length: 1 m
- End switch: 5 A 230 V
- Breakaway current: 0.35 A (model 24 V) - 0.25 A (model 230V)
- Closing/opening time: 5-6 min
- Stroke length: 3.5mm
- 4-wire

Note: The thermo-electric heads can be used in conjunction with: Topway T2 and Floor Mixing Unit manifolds with valves. Supplied with 1m cable. 4-wire. The two additional cores are connected to an auxiliary switch which allows an external load to be energised on operation of the head.

**ControlT Electrothermic Heads (continued)****ControlT - Electrothermic head normally open**

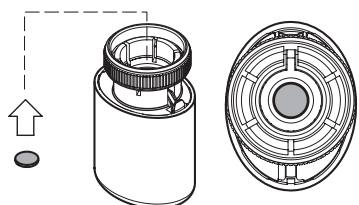
Size	Pcs./Pack	Code
230v	1	01213280
24v	1	01213260

The valve closes upon receiving the command from the thermostat via a wiring box or any similar control device.

**Technical data**

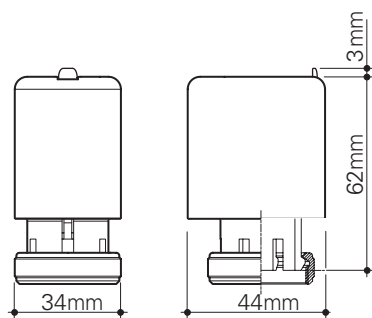
- Absorption - protection 3.45 VA (230 V) 3 VA (24 V)
- Protection: IP 40 (IP 44 vertical position)
- Length: 1 m
- Breakaway current: 0.35 A (model 24 V) - 0.25 A (model 230 V)
- Closing/opening time: 5-6 min
- Stroke length: 3.5 mm
- 2-wire

Note: The thermo-electric heads can be used in conjunction with: Topway T2 and Floor Mixing Unit manifolds with valves. Supplied with 1m cable. 2-wire.

**Adaptor for ControlT Electrothermic heads**

Size	Pcs./Pack	Code
Spacing disc c. 9mm dia. X 1mm thick	12	90039364

Supplied with double sided adhesive tape, for use with ControlT heads fitted to other makes of manifold.

**Electrothermic Heads****Dimensions****Technical Data**

Model	2-wire n/c	4-wire n/c	2-wire n/o
Code : 230V	01213240	01213250	01213280
24V	01213200	01213210	01213260
Enclosure Rating	IP 40 (IP44 vertical position)		
Power absorption	230V:3.45VA 24V: 3VA		
Closing / opening time	5 – 6 minutes		
Auxiliary switch rating	5A 230V		
Stroke length	3.5mm		
Cable length	1m		
Breakaway current	24V: 0.35A 230V: 0.25A		
Connection	M30 x 1.5		