



Topway WHR

- Nickel plated extruded brass manifold pre-assembled for immediate mounting specifically designed for radiator systems to minimise joints and leaks
- Available with ¾" flow and return rails, from 2 ways to 12 ways for use with conventional manual and thermostatic radiator valves
- Can be surface mounted, concealed in a choice of purpose designed plastic or metal cabinets or within a partition wall for a flexible solution to siting
- Manifold flow and return outlets are offset for space saving and ease of installation and include manual air vents and blanking plugs
- Ball valves, fittings and Monoblocco pipe connectors available to accommodate a wide range of pipe types and sizes



Technical Product Guide

Heating Manifolds

The advantages

Heating manifolds, unlike today's common practice of non-manifold ring heating circuits, allow independent circuits thermally different to each other. This is because they supply flow and return water directly to each radiator, in a star pattern. This makes it easy to hydraulically balance each independent circuit.

Taking into account pipe runs, the hot water is circulated to all the radiators at the same time. This avoids the balancing or sequencing issues with a non-manifold system, where one radiator can be producing maximum heat well before another has started. A more constant temperature across all manifolds circuits is maintained (providing the balancing is done correctly).

Manifolds encourage the use of small diameter pipes, 10 mm or 12 mm, PB, PEX or Multilayer. This type of pipe is easy to handle and flexible. No further connections are required between the manifold and the radiator. The connectors on the radiator and on the manifold are mechanical. This means that there are far fewer joints in total and none at all which are concealed so leaks are kept to a bare minimum and because they are not concealed, relatively easy to locate and deal with.

Manifold Types

To make understanding the Emmeti range of heating manifolds easier, we have organised them into three simple types, matching each type to a heating system and controls to make the application clear.

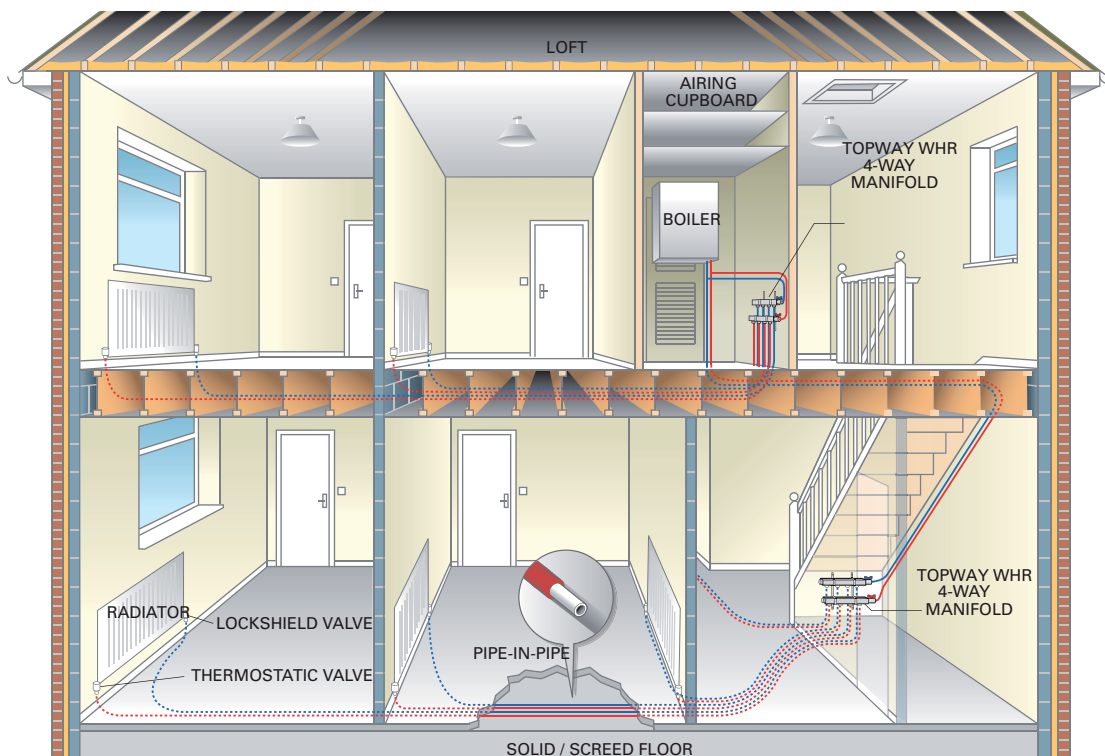
Type 1 (T1): These are for wall hung radiator (WHR) systems with a Thermostatic Radiator Valve (TRV) and Lockshield valve (LS) on the radiator

Type 2 (T2): These are for either wall hung radiator or underfloor heating (UFH) systems. The manifold is fitted with an electrothermic valve and lockshield to control each circuit; this replaces for example the TRV and LS on a radiator. The electrothermic valves are controlled by a thermostat or programmable thermostat

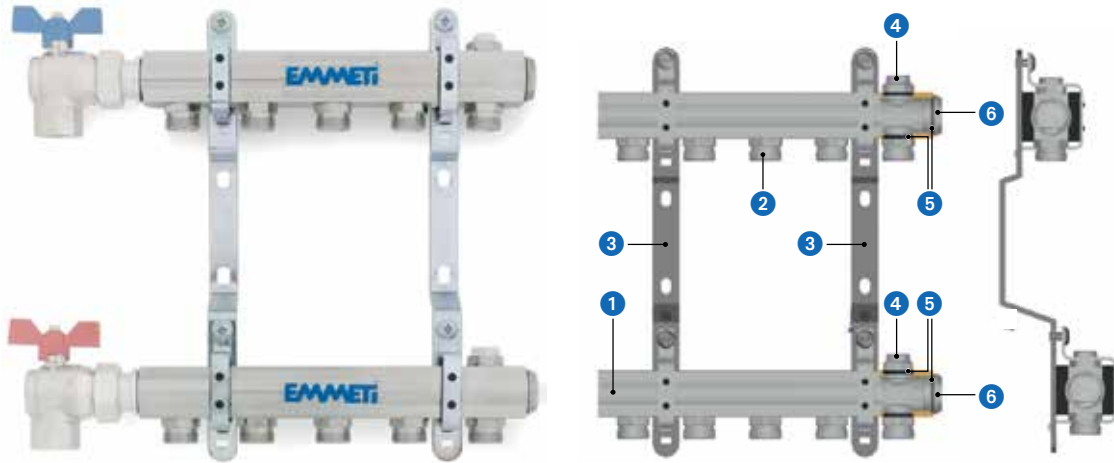
Type 3 (T3): These are underfloor heating (UFH) systems only and have a temperature controller and pump to ensure that the water is at the correct temperature for the underfloor heating circuits.

Each type has its own section in the catalogue and further details of each manifold are given at the start of each section

Example of typical type 1(T1) heating manifold system



Topway Wall Hung Radiator (WHR)



This pre-assembled unit is designed to make for a fast, easy, efficient installation, allowing you to minimise the number of joints, and making control of commissioning and maintenance simple.

The Emmeti Topway WHR manifold units consist of ¾" flow and return rails, pre-mounted on a double wall mounting bracket.

They include a pair of manual air vents, for commissioning and maintenance and two blanking plugs.

The elbow ball valves are not included in the price.

Construction

1. Distribution manifold: brass EN 12168 CW614NM
2. 24x19 takeoffs: brass EN 12164 CW614NM
3. Pair metal brackets: Fe 320 UNI 10440
4. Manual air vent with o-ring seal
5. O-ring: EPDM 70
6. Blanking plug: brass EN 12164 CW614NM with O-ring seals

Technical Product Guide

Topway Wall Hung Radiator (WHR) (continued)



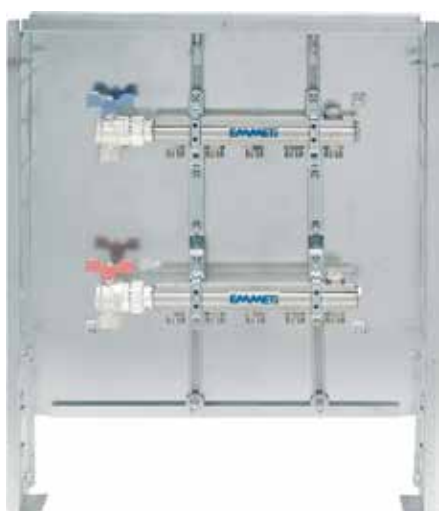
Topway WHR Standard, manifold in pre-assembled kit, nickel-plated brass. 24x19 threaded outlets.

Size	Ways	Pcs./Pack	Code
¾" 24x19	2	1	01299670
¾" 24x19	3	1	01299672
¾" 24x19	4	1	01299674
¾" 24x19	5	1	01299676
¾" 24x19	6	1	01299678
¾" 24x19	7	1	01299680
¾" 24x19	8	1	01299682
¾" 24x19	9	1	01299684
¾" 24x19	10	1	01299686
¾" 24x19	11	1	01299688
¾" 24x19	12	1	01299690

Note: The product does not include the ball valves pictured here.

For Emmeti Monoblocco connectors, blanking plugs, automatic air vents and ball valves, please look at the end of the section.

Topway WHR pre-assembled manifold with on-wall metal cabinet, nickel-plated brass, 24 x 19 takeoff connections



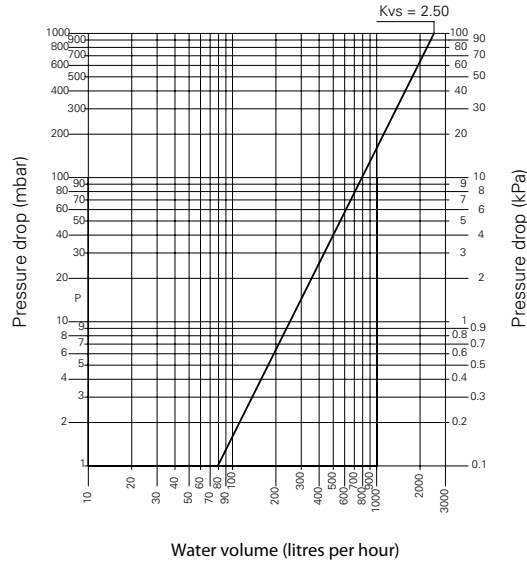
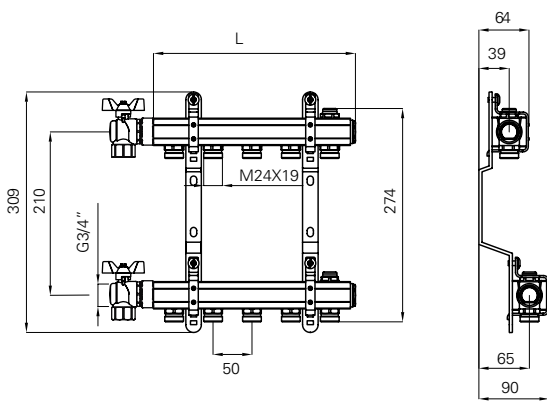
Size	Metal	Ways	Pcs./Pack	Code
¾" 24x19	L500	2	1	01299700
¾" 24x19	L500	3	1	01299702
¾" 24x19	L500	4	1	01299704
¾" 24x19	L500	5	1	01299706
¾" 24x19	L500	6	1	01299708
¾" 24x19	L700	7	1	01299710
¾" 24x19	L700	8	1	01299712
¾" 24x19	L700	9	1	01299714
¾" 24x19	L700	10	1	01299716
¾" 24x19	L850	11	1	01299718
¾" 24x19	L850	12	1	01299720

Note: The product does not include the ball valves pictured here.

For Emmeti Monoblocco connectors, blanking plugs, automatic air vents and ball valves, please look at the end of the section.

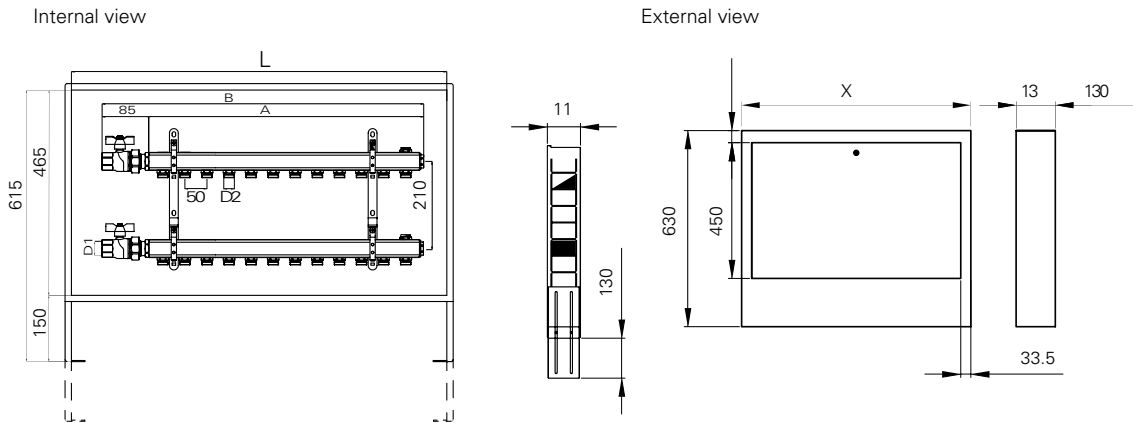
Topway Wall Hung Radiator (WHR) (continued)

Connections & Dimensions



Type	2 ways	3 ways	4 ways	5 ways	6 ways	7 ways	8 ways	9 ways	10 ways	11 ways	12 ways
L mm	110	160	210	260	310	360	410	460	510	560	610

Dimensioned drawing for version with cabinet



Model	2 ways	3 ways	4 ways	5 ways	6 ways	7 ways	8 ways	9 ways	10 ways
Cabinet	L 500	L 500	L 500	L 500	L 500	L 500	L 500	L 500	L 500
A	110	160	210	260	310	360	410	460	510
B	195	245	295	345	395	445	495	545	595
L	500	500	500	500	500	700	700	700	700
D1	3/4"	3/4"	3/4"	3/4"	3/4"	3/4"	3/4"	3/4"	3/4"
D2	M 24x19	M 24x19	M 24x19	M 24x19	M 24x19	M 24x19	M 24x19	M 24x19	M 24x19
X	560	560	560	560	560	760	760	760	760

Technical Product Guide

Manifold Boxes

**Termobox - white plastic universal manifold box**

Size	Pcs./Pack	Code
310 x 310 x 90	5	01302090
460 x 310 x 90	3	01302100
610 x 310 x 90	2	01302110

Integrated into the back panel of the box are two slider rails, representing an upper and lower manifold rail. Choosing a plastic bracket support kit from the next page allows you to match your manifold requirements exactly, including the facility to offset the flow manifold from the return manifold.

Suitable for use with hot and cold plumbing manifolds, as well as heating manifolds.

All walls have snap out panels, allowing the installer control of the manifold and pipe orientation in the box.

Made of plastic material for toughness and durability (box in ABS, cover in PS shock resistant polystyrene, supports in PA nylon 6).

For manifold sizing information, please see our website www.emmeti.co.uk

**Manifold cabinet in galvanised steel with enamelled door white colour. For mounting on the wall.**

Size	Pcs./Pack	Code
L 500 (560x650x130)	1	01301090
L 700 (760x650x130)	1	01301092
L 850 (910x650x130)	1	01301094
L 1000 (1060x650x130)	1	01301096
L 1200 (1260x650x130)	1	01301098

White finished steel cabinet for enclosing manifolds, complete with quarter-turn catch and provided with a temporary cover for protection during installation.

Please note: if installing a pump within the cabinet, please ensure that the pump and mounting brackets can be enclosed within the overall depth of 130mm.

**Manifold cabinet in galvanised steel with enamelled door white colour. For 80 mm brick thickness suitable for 1" manifolds. For mounting in the wall.**

Size	Pcs./Pack	Code
L 500 (540x630x90-130)	1	01301040
L 700 (740x630x90-130)	1	01301042
L 850 (890x630x90/130)	1	01301048
L 1000 (1040x630x90-130)	1	01301044

Door to fit flush with plaster.

Box for manifolds, flush fitting with adjustable depth. Supplied complete with quarter-turn catch, feet adjustable for height from 0 to 130 mm and cover for protection during site work.

Manifold Boxes (continued)



Cabinet in galvanized steel with enamelled door, white colour, keylock, for 80 mm brick thickness. For Topway manifolds until 1".

Size	Pcs./Pack	Code
L 700 (740x630x90/130)	1	01301162
L 1000 (1040x630x90/130)	1	01301166

Door to fit flush with plaster.

Box for manifolds, flush fitting with adjustable depth. Supplied complete with key locked catch, feet adjustable for height from 0 to 130mm and cover for protection during site work.



Manifold cabinet in galvanised steel with enamelled door white colour. For 120 mm brick thickness suitable for 1 1/4" manifolds. For mounting in the wall.

Size	Pcs./Pack	Code
L 500 (540x630x110-160)	1	01301030
L 700 (740x630x110-160)	1	01301032
L 850 (890x630x110-160)	1	01301038
L 1000 (1040x630x110-160)	1	01301034
L 1200 (1240x630x110-160)	1	01301036

Surface-mounting door thickness 15 mm.

Box for manifolds, flush fitting with adjustable depth. Supplied complete with quarter-turn catch, feet adjustable for height from 0 to 130 mm and cover for protection during site work.



Cabinet in galvanised steel with enamelled door, white colour, key lock, for 120 mm brick thickness, for the installation of modules for measuring consumption.

Size	Pcs./Pack	Code
L 500 (540x630x110/160)	1	01301108
L 600 (640x630x110/160)	1	01301110
L 700 (740x630x110/160)	1	01301100
L 850 (890x630x110/160)	1	01301102
L 1000 (1040x630x110/160)	1	01301104
L 1200 (1240x630x110/160)	1	01301106

Frame and door to fit flush with wall. Door supplied with key lock. Box for manifolds, flush fitting with adjustable depth. Supplied complete with feet adjustable for height from 0 to 130 mm and cover for protection during site work.

Technical Product Guide

Accessories

**Metal brackets for Topway and Topsan manifolds, pairs of double brackets**

Size	Pcs./Pack	Code
¾"	200 mm	1 90011530

Use 200mm brackets, when placing Topway manifolds in metal cabinets, to ensure you have enough depth; or when fitting flush to the wall.

The standard UK brackets are 210mm, as shown on the Topway T2 manifolds in this catalogue. These brackets are designed to allow pumps to be fitted to the Topway manifold.

**½" drain valve TEE with ½" female connection for manual or automatic air vent**

Size	Pcs./Pack	Code
½" M	8	90011780

With ½" female connection for manual or automatic air vent. Used to free up the final port of a Topway T2 manifold fitted with air vents and drain/fill valves, when an additional circuit is required. The end blanking plug is replaced by a reducer – 90004840: ¾" x ½", 90004850: 1" x ½" or 90005080: 1 ¼" x ½".

The air vent, 00410021 (manual) or 00400004 (auto), is fitted to the tee.

**Blanking plugs, male and female, nickel-plated**

Type	Pcs./Pack	Code
½" M with o-ring seal	50	90004930
¾" M with o-ring seal	30	90004820
¾" F*	30	01291536
24 x 19F with o-ring seal	30	01321460

(* Use the appropriate washer from immediately below when ordering these items.

**Female washer**

Size	Pcs./Pack	Code
¾" F	1	90008200
1" F	1	90008210

**Reducer fitting nickel-plated**

Size	Pcs./Pack	Code
¾" M x ⅝" F	30	90005050
¾" M x ½" F	30	90004840
½" M x ¼" F with O-ring seal and gasket	20	01306464

**Swivel adaptor**

Size	Pcs./Pack	Code
¾" M x ¾" M	6	01306434

Allows orientation of product when tightening.

**Spanner for swivel adaptors 37 mm - 48 mm**

Spanner Flats	Pcs./Pack	Code
37 - 48mm	1	01306044

Accessories (continued)



Male tee union with female pipe union for temperature gauge

Size	Pcs./Pack	Code
M-F 24x19	7	90011760

The thermometer is designed to be fitted to the flow and return manifolds, allowing in-line monitoring of system temperatures. It is used to verify the temperature supply to and from each circuits. This helps to arrive at correct system heat loss values.



Thermometer Ø 40

Size	Pcs./Pack	Code
0-80 °C	1	90006860

Temperature gauge pocket included in tee union (above).
For installation in a 1/2" manifold tapping, use 1/2 temperature gauge pocket, code 90026530 and O-ring pocket seal, code 90047400.



Tecno-Varia with plastic cover and anti-dirt air chamber

Size	Pcs./Pack	Code
1/2" standard	12	00400004

Plastic upper body design including innovative anti-dirt air chamber



Bleed valve and manual air vent

Size	Pcs./Pack	Code
1/2"	10	00410021

Adjusted with a screwdriver. Once partially opened, drain off position can be oriented. Can also be used in Topway manifold as manual air vent.



Drain valve nickel-plated 1/2" with male 3/4" connection

Size	Pcs./Pack	Code
3/4" loose nut x 3/8" barb	1	09020012

Allows easy pipe connection due to 45° angle with 360° orientation. Complete with isolation facility.



Hose tail for filling and draining

Size	Pcs./Pack	Code
3/4" loose nut x 3/8" barb	1	09020012

Terminal kit with differential pressure by-pass for Topway manifolds

Size	Pcs./Pack	Code
1/2" (*)	1	01306170
3/4" (*)	1	01306172



For Topway pre-assembled manifolds.

(*) These slimline versions can be used with the Termobox plastic manifold box. For 1/2" or 3/4" versions you need a reducer fitting when using with a 3/4" or 1" manifold.

For connection to the right-hand side of a manifold, connecting to flow and return rails. For this configuration, the flow is on the bottom connection and the return on the top connection. It can easily be reversed on site.

Differential pressure by-pass valve from 0.2 to 0.5 bar

Technical Product Guide

Accessories (continued)

**Pair straight Progress ball valves with female - male union connection**

Size BSP	Pcs./Pack	Code
¾" F-MU	1	9723R005

Boxed as a pair, with red and blue aluminium butterfly handles. Includes O-ring seals.

**Pair right-angle Progress ball valves with female - male union connection**

Size	Pcs./Pack	Code
¾" F-MU	1	9745R005

Boxed as a pair, with red and blue aluminium butterfly handles. Includes O-ring seals.

**Monoblocco connector for plastic PB polybutylene pipe, nickel-plated**

Size	Connection	Pcs./Pack	Code
10	24x19	50	28100318
15	24x19	50	28100330

When using these with plastic pipe, please ensure you use the plastic pipe insert provided for by the manufacturer of the pipe you are using.

**Monoblocco connector for copper pipe, nickel-plated**

Size	Connection	Pcs./Pack	Code
10	24x19	20	01321410
15	24x19	20	01321415

**Monoblocco connector for MLCP multilayer composite pipes, nickel-plated**

Size	Connection	Pcs./Pack	Code
12 x 1.6	24x19	20	28100355
14 x 2	24x19	20	28100356
16 x 2	24x19	50	28100358
16 x 2.25	24x19	20	28100360
17 x 2	24x19	50	28100362
18 x 2	24x19	50	28100364
20 x 2	24x19	50	28100366
20 x 2.25	24x19	50	28100374
20 x 2.5	24x19	50	28100370
25 x 2.5	32x1.5	20	9505R938
26 x 3	32x1.5	8	28100368

Note: Manifolds with 24x19 takeoff connections can be adapted for use with 32x1.5 Monobloccos by using either of the following fittings (see section 17, 'Monoblocco Connectors and Threaded Fittings'):

24x19F - 32x1.5M, code 01306252.

½" - 32x1.5M, code 01306250.

Accessories (continued)



Monoblocco connector for PEX, PE-RT and PB pipe, nickel-plated.

Size	Connection	Pcs./Pack	Code
12 x 1	24x19	50	28100320
12 x 2	24x19	50	28100322
14 x 2	24x19	50	28100324
15 x 1.5	24x19	50	28100325
15 x 1.7	24x19	50	28100326
15 x 2.5	24x19	50	28100328
16 x 1.5	24x19	50	28100332
16 x 2	24x19	50	28100334
16 x 2.2	24x19	50	28100336
17 x 2	24x19	50	28100340
18 x 2	24x19	50	28100342
18 x 2.5	24x19	50	28100344
20 x 2	24x19	50	28100346
20 x 2.8	24x19	50	28100348
25 x 2.3	32x1.5	20	28100382

Not suitable for use with MLC Pipe, see correct connector on previous page.
 Note: Manifolds with 24x19 takeoff connections can be adapted for use with 32x1.5 Monobloccos by using either of the following fittings (see section 17, 'Monoblocco Connectors and Threaded Fittings'):
 24x19F - 32x1.5M, code 01306252.
 ½" M- 32x1.5M, code 01306250.



27 mm - 30 mm spanner for tightening takeoffs

Pcs./Pack	Code
1	01306046

This specially designed tool allows the installer to easily tighten the manifold outlets in the 36 mm interaxial space provided.
 The 30 mm is designed for use with special larger Monoblocco connectors.



27 mm spanner for tightening takeoffs

Spanner Flats	Pcs./Pack	Code
27mm	1	01306054

For Monoblocco connectors up to dia 18mm only.
 This is a dedicated low cost shoulderless spanner for manifolds with 36mm interaxials.