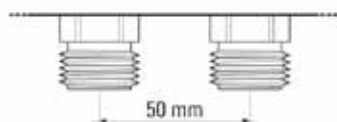
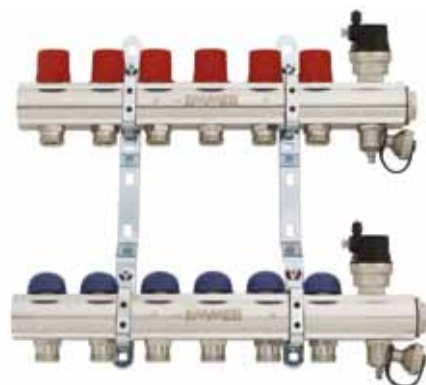


Price List 2017

Type 2 Topway LS Pre-Assembled Heating Manifold

1" Pre-Assembled Manifold with Individual Lockshield Commissioning Valves



Description	Ways	Pcs/Pack	Code	Unit Price £
Flow rail at the top				
1"	2	1	01299730	130.80
1"	3	1	01299732	151.80
1"	4	1	01299734	173.70
1"	5	1	01299736	195.80
1"	6	1	01299738	217.30
1"	7	1	01299740	239.40
1"	8	1	01299742	261.20
1"	9	1	01299744	291.50
1"	10	1	01299746	314.90
1"	11	1	01299748	336.00
1"	12	1	01299750	356.60
Flow rail at the bottom				
1"	2	1	01299020	130.80
1"	3	1	01299022	151.80
1"	4	1	01299024	173.70
1"	5	1	01299026	195.80
1"	6	1	01299028	217.20
1"	7	1	01299030	239.40
1"	8	1	01299032	261.20
1"	9	1	01299034	291.50
1"	10	1	01299036	314.80
1"	11	1	01299038	336.00
1"	12	1	01299040	356.60
Flow rail at the bottom				
1¼"	4	1	01299054	194.50
1¼"	5	1	01299056	219.70
1¼"	6	1	01299058	244.40
1¼"	7	1	01299060	269.70
1¼"	8	1	01299062	294.30
1¼"	9	1	01299064	326.10
1¼"	10	1	01299066	352.50
1¼"	11	1	01299068	376.30
1¼"	12	1	01299070	400.20

Flow rail has a red capped double regulating lockshield per circuit that allows individual circuit flow regulation and isolation. Return rail has a blue capped integrated electrothermic body to accommodate an electrothermic actuator per circuit.

Pre-assembled manifold includes 2 x drain off/fill valves, 2 x automatic air vents and 2 x blanking plugs. Pre-mounted onto a double offset bracket at 210mm centres.

Outlet connections are 24x19 thread for use with Emmeti monoblocco connectors, see section 9, Manifold Accessories.

For MLCP (MultiLayer Composite Pipe) and press fittings to accompany this range please see section 1 Gerpex.

For wiring centres and wall thermostats, please refer to section 12 Zone Controls.

Point to Point Radiator Connection



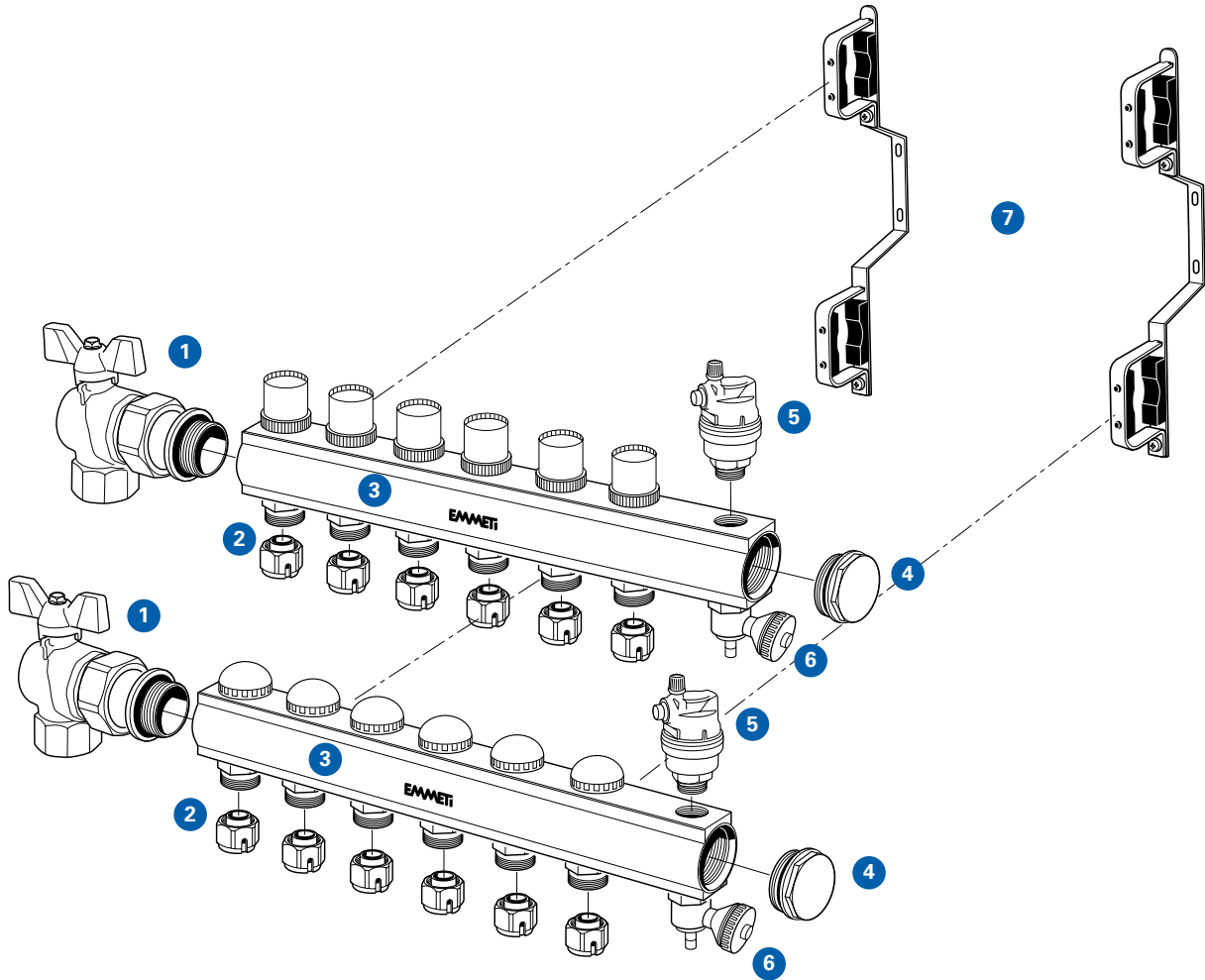
Items sold separately.

Description	Pcs/Pack	Code	Pair Price £
½" x 24x19 Radiator Tail	1	01306081	2.65
24x19 x 24x19 Elbow	1	28103180	2.78

A kit to allow terminal connection at the radiator in a Type 2, manifold based, point to point radiator system. The tail piece connects into the radiator and the elbow piece allows for a wide range of pipes to be connected via the 24x19 thread and Monoblocco connector to suit.

Type 2 Topway LS Pre-Assembled Heating Manifold (continued)

1" Pre-assembled Manifold with Individual Lockshield Commissioning Valves



1 Ball Valves

A range of 1" and 1¼" Ball Valves are available. For the complete range please refer to section 16 'Ball Valves' or visit our website www.emmeti.co.uk

2 Monoblocco Connectors

A range of Monoblocco connectors are available to suit pipe sizes 10mm - 20mm, and different pipe types PB, PE-X, PE-RT, MLCP and Copper. For the complete range please refer to section 9 'Manifold Accessories' or visit our website www.emmeti.co.uk

3 Manifold

Flow Rail at the top
Code: 01299730 (2way) to 01299750 (12way) 1"

Flow Rail at the bottom
Code: 01299020 (2way) to 01299040 (12way) 1"

Code 01299054 (2way) to 01299070 (12way) 1¼"

4 Blanking Plug

Code 90004830 1" M with O-ring seal
Code 90005070 1¼" M with O-ring seal

5 Automatic Air Vent

Code 00400004
Tecno-Varia auto air vent ½" -

Optional:
Code ½" - 00410021
Bleed Valve and Manual air vent

6 Drain Fill Valve

Code 90011790 ½" with ¾" hose connection

7 Metal Brackets (210mm centres)

Code 90011570 1"
Code 90011580 1¼"
supplied in pairs

Optional: (200mm Centres)
Code: 90011540 1"
Code: 90011550 1¼"