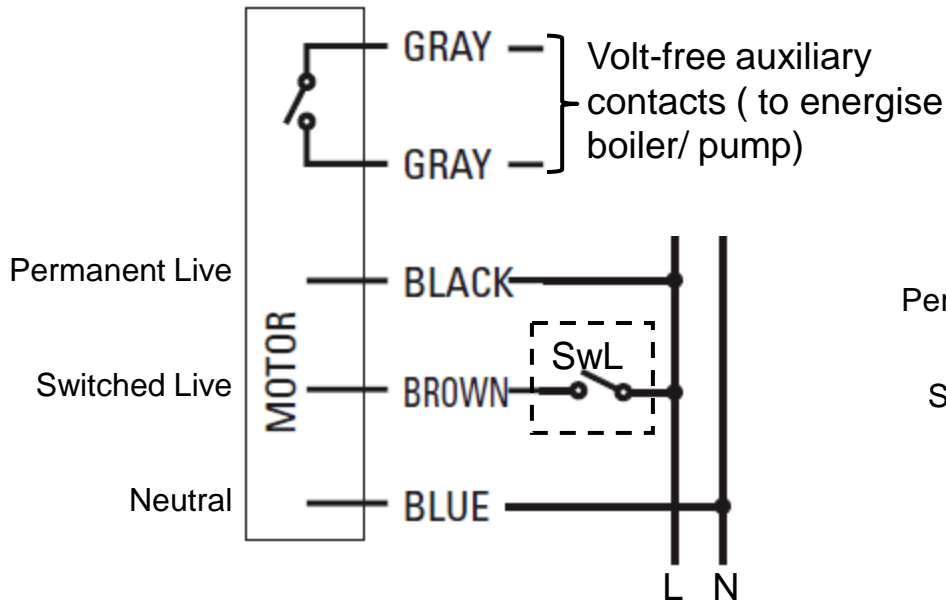
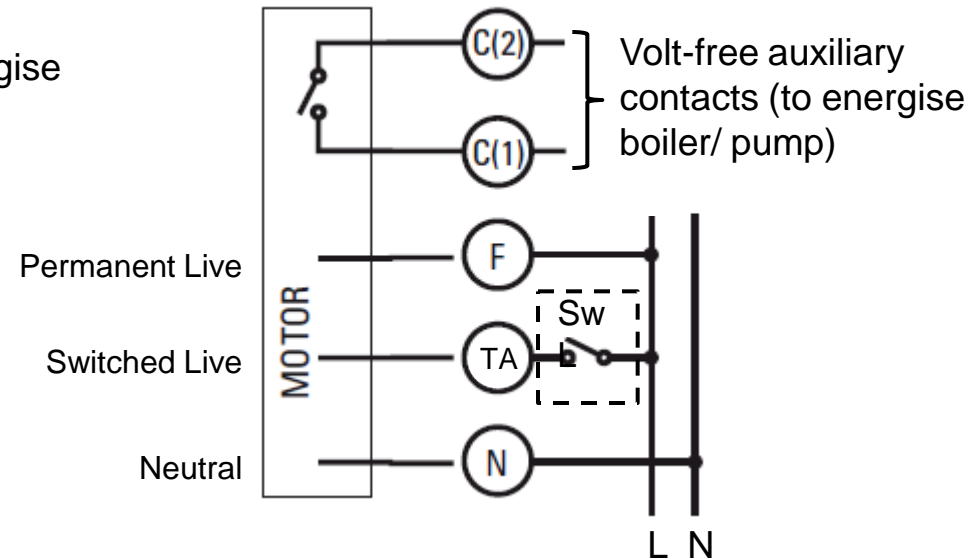


# Wiring Connections for Modulo Compact and Modulo Plus Actuators



230V/24V Modulo Compact Actuator (supplied with cable)



230V Modulo Plus Actuator (not supplied with cable)

## Notes:

Wiring to actuators is the same for both 2-port and 3-port valves

 SwL - Switched live from control system