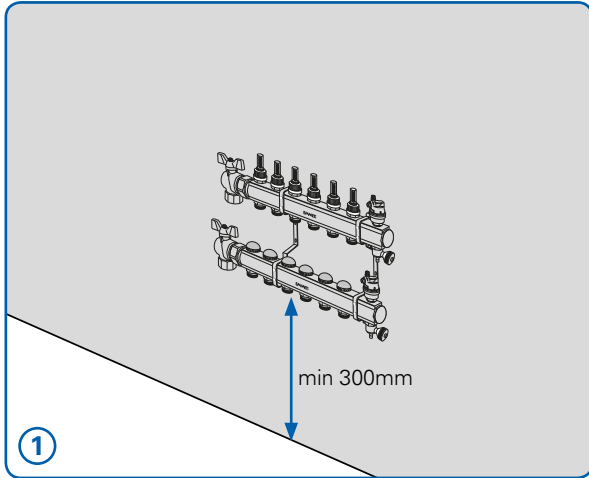
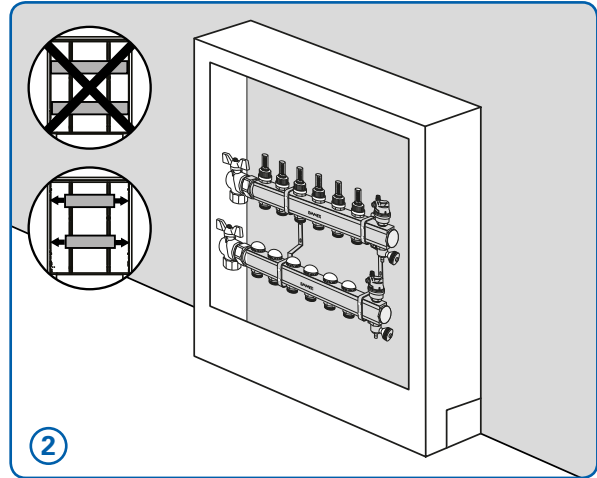


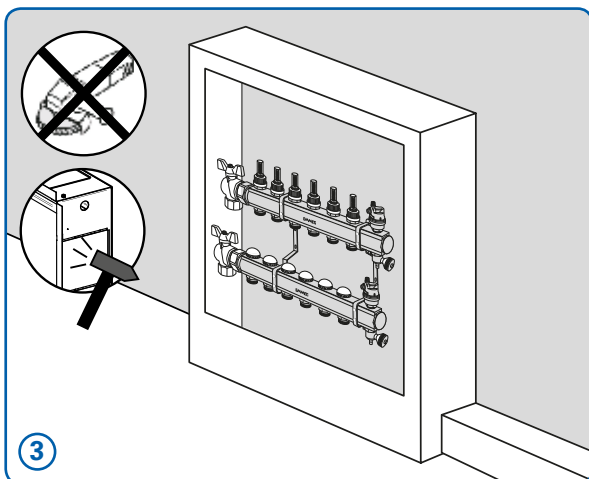
Manifold Cabinets



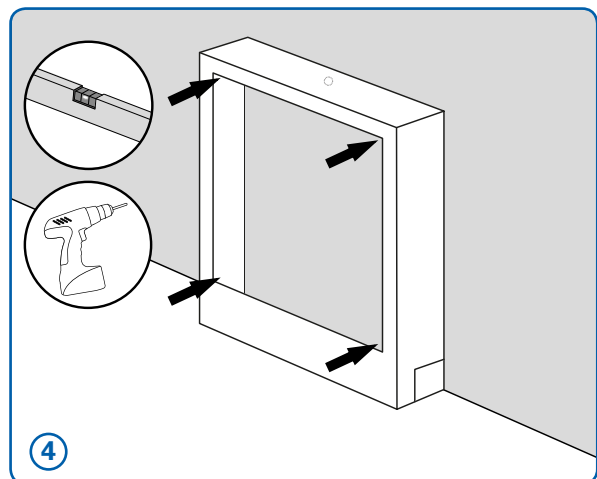
1 Install manifold so it is a minimum of 300mm from sub floor. Distance between manifold and finished floor level should be 250mm max.



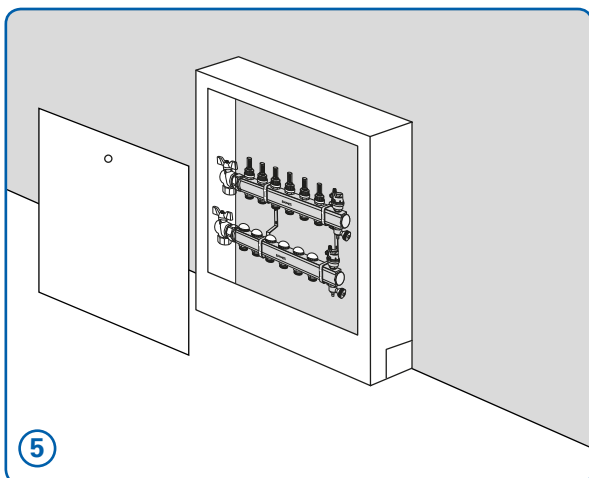
2 Offer cabinet up to the wall, noting finished floor level



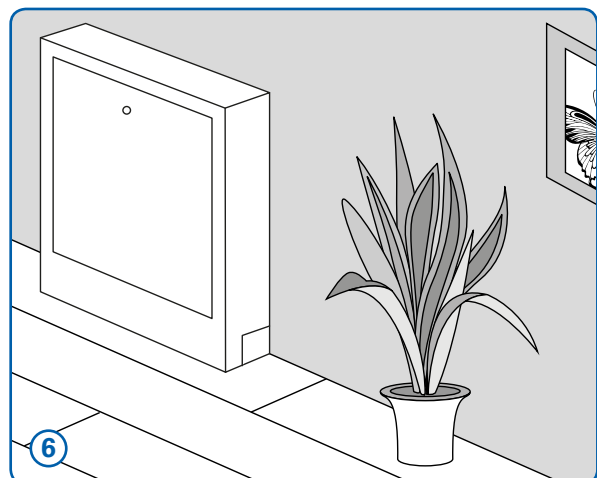
3 Knockouts provided for pipe access



4 Level and fix to wall



5 Attach door



6 Finished installation