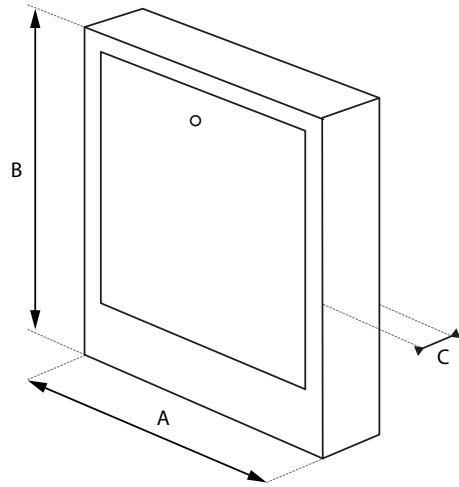


Manifold Cabinets

On Wall Metal Manifold Cabinet - No Back Panel

U9282600 / 610 / 620 / 630 / 640 / 650 / 660

Code	Width (A)	Height (B)	Depth (C)	Useable Width
U9282600	400	640	135	380
U9282610	450	640	135	430
U9282620	530	640	135	510
U9282630	680	640	135	660
U9282640	830	640	135	810
U9282650	1030	640	135	1010
U9282660	1130	640	135	1110



Construction

Body / Door: Power coated black metal sheet

Lock: Steel / Plastic

Largest manifold type that will fit in cabinets

FMU2



Code	Size	FMU2	Width
U9282600	400	-	-
U9282610	450	2 Way	387
U9282620	530	4 Way	487
U9282630	680	7 Way	637
U9282640	830	10 Way	787
U9282650	1030	12 Way	887
U9282660	1130	12 Way	887

T2 (Including 90° isolation valves)



Code	Size	T2	Width
U9282600	400	4 Way	366
U9282610	450	5 Way	416
U9282620	530	6 Way	466
U9282630	680	9 Way	616
U9282640	830	12 Way	766
U9282650	1030	12 Way	766
U9282660	1130	12 Way	766

Technical Product Guide

Manifold Cabinets

On Wall Metal Manifold Cabinet - No Back Panel

FCU-HE (H+L) (Including 90° isolation valves)



Code	Size	H	Width	L	Width	2H + L	Width	3H + L	Width
U9282600	400	-	-	-	-	-	-	-	-
U9282610	450	-	-	-	-	-	-	-	-
U9282620	530	-	-	3L	498	-	-	-	-
U9282630	680	3H	589	5L	598	2H+3L	633	-	-
U9282640	830	-	-	9L	798	2H+6L	783	3H+5L	783
U9282650	1030	-	-	13L	998	2H+10L	983	3H+9L	983
U9282660	1130	-	-	13L	998	2H+12L	1083	3H+11L	1083